

VARIO®化学真空系统 PC 3010 NT VARIO

网站链接



产品说明

VARIO®泵及其真空系统具有非常大的抽速及非常好的极限真空，因此，是高真空需求的理想解决方案，如在非常低的温度下蒸发绝大部分高沸点溶剂。通过调节隔膜泵的马达转速实现精准的真空控制。控制器可进行全自动的蒸发控制，不需要输入任何参数。该泵具有非常好的耐化学腐蚀性，几乎可在化学和制药领域通用。PC 3010 NT VARIO 真空系统基于广泛验证的运行理念，是蒸发大量溶剂的可靠之选。进气口分离瓶（AK）防止颗粒或液滴进入泵内；出气口冷凝器（EK）高效且紧凑，可实现近100%的溶剂回收效果，有效回收和对环境进行主动防护。针对MV 10C NT VARIO这些附件都可选配后期来装配。

性能特点

- 整个过程真空度自动调节，过程重复性高，操作过程无需过多干预
- 零波动（无滞后）的真空控制，使过程时间更短，即使针对大量蒸汽时
- 可移动的CVC 3000真空控制器，安装灵活，菜单明晰，操作简单
- 膜片寿命极长，将操作成本和维修成本降到最低
- PC 3010 NT VARIO：高效的溶剂回收系统，使其成为一款环境友好的产品

订购信息

| 产品名称 | 额定电源电压 工作频率 | 电源插头类型 | 订货号 |
|------------------|----------------------|--------|----------|
| PC 3010 NT VARIO | 200-230 V 50-60 Hz | UK, IN | 20744802 |

货品配置

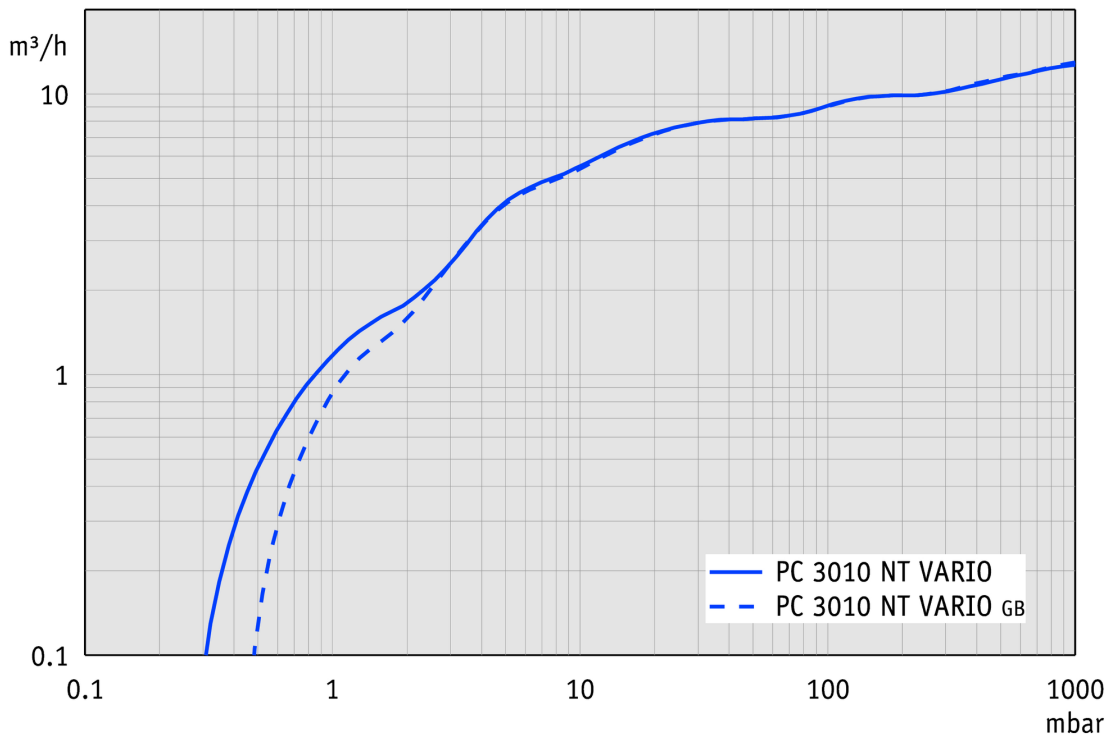
真空系统安装完毕，连接即可使用，附带说明书

配件

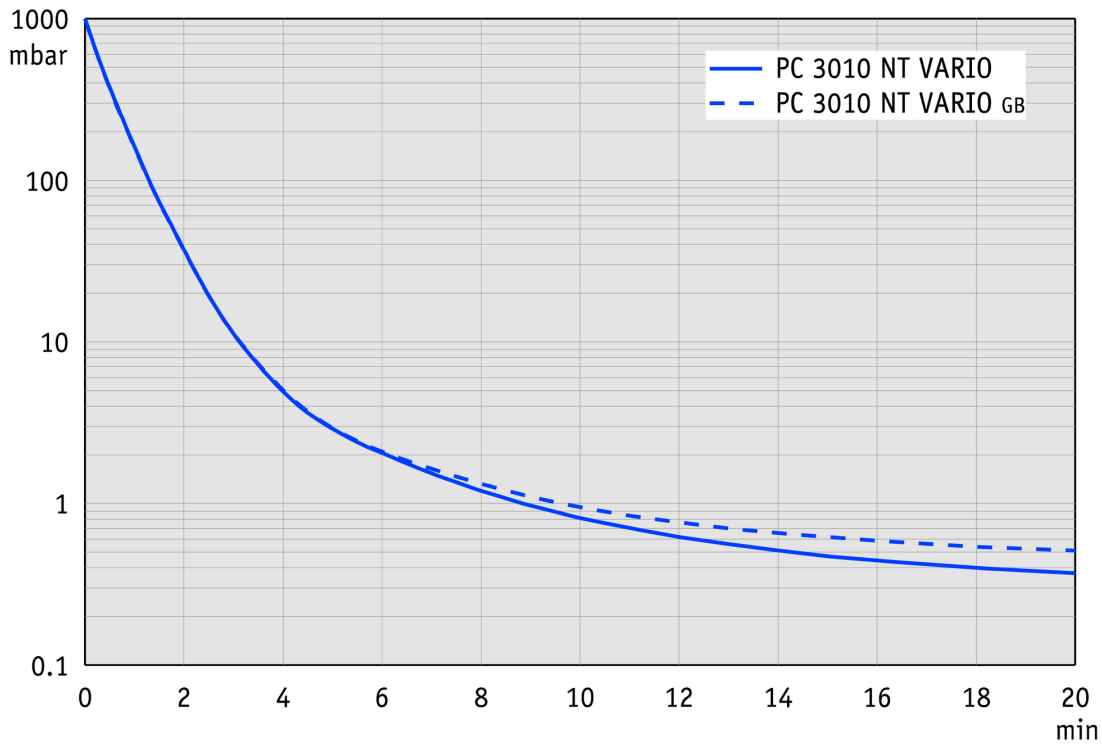
技术指标

| | |
|-----------------------------------------------------------------------------|----------------------------------------------|
| 50 Hz 最大抽速 (mbar) | 12.8 m ³ /h |
| 60 Hz 最大抽速 (cfm) | 7.5 cfm |
| 极限真空 | 0.6 mbar / 0.45 torr |
| 极限真空, 使用气镇 | 1.2 mbar / 0.9 torr |
| 泵头数 | 8 |
| 泵级数 | 4 |
| 真空控制器 | CVC 3000 |
| 的允许环境温度范围 (运行) | 10 - 40 °C |
| 的允许环境温度范围 (存放) | -10 - 60 °C |
| 最大出气口压力 (绝对压力) | 1.1 bar |
| 进气口连接 | KF DN 25 小法兰 / DN 15 mm 软管喷嘴接头 |
| 出气口连接 | 软管喷嘴接头 DN 8-10 mm |
| 冷却液接口 | 2个 DN 6-8 mm 软管喷嘴接头 |
| 额定电机功率 | 0.53 kW |
| 电机转速范围 | 30 - 2400 min ⁻¹ |
| 防护等级 | IP 40 |
| 尺寸 (长x宽x高) | 616 mm x 387 mm x 420 mm |
| 重量 | 29.7 kg |
| 噪音水平 50 Hz/1500 Upm/62% (VARIO)/1500 Upm (VARIO-SP)/12500 Upm (VACUU·PURE®) | 47 dBA |
| ATEX规格 | II 3/- G Ex h IIC T3 Gc X Internal Atm. only |
| NRTL 标准 | 否 |

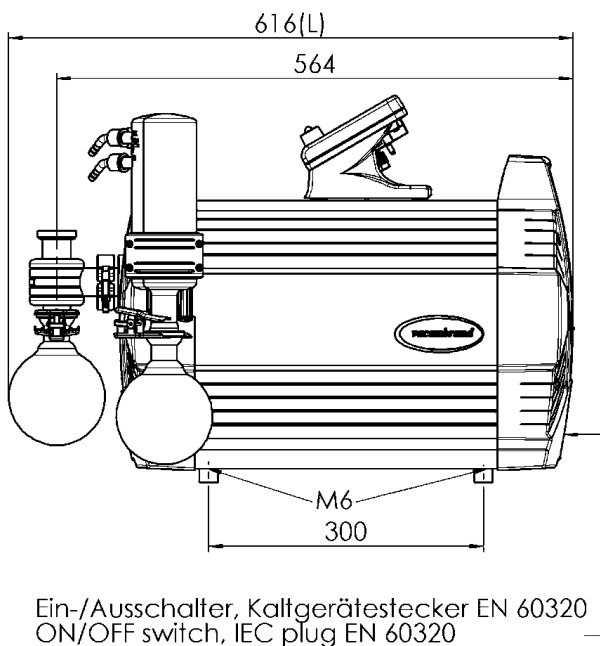
50 Hz下的抽速曲线



50 Hz下的抽气曲线 (100升容积)

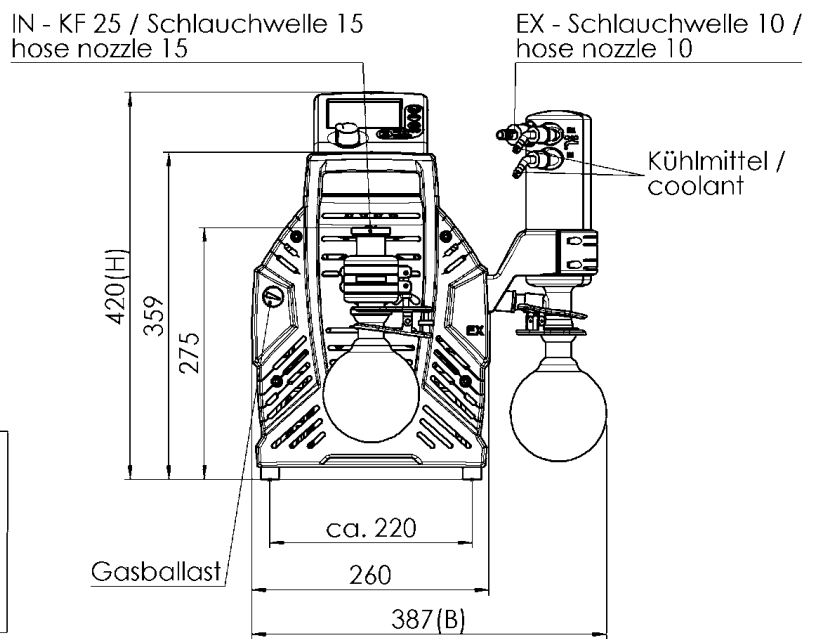


尺寸规格表



Ein-/Ausschalter, Kaltgerätestecker EN 60320
ON/OFF switch, IEC plug EN 60320

Alle Maße / all dimensions (mm)



VACUUBRAND PC 3010 NT VARIO, PC 3012 NT VARIO, PC 3016 NT VARIO
Version 2012/04/23

VACUUBRAND GMBH + CO KG
P.O. Box 1664
97877 Wertheim
T +49 9342 808 5550
F +49 9342 808 5555

info@vacuubrand.com
www.vacuubrand.com

VACUUBRAND®

VACUUBRAND is part of the Brand group, a manufacturer of high-quality and innovative laboratory equipment and vacuum technology with a global team of approx. 1,000 employees.

With highly motivated and qualified employees, we manufacture the world's most comprehensive product family for vacuum generation, measurement and control for the rough and fine vacuum range in the laboratory.

All with one goal:

Enabling our customers to run reliable, safe and efficient processes. This is why we commit ourselves to continuous innovation, first-class performance, and outstanding quality.

Engineering excellence is central to our ability to deliver products and solutions renowned for their quality, durability, and reliability. Innovative technology, high quality materials and extensive testing deliver unmatched performance - engineered and manufactured in Germany.

Together with you, our experts will find the best solution for your application and provide you with first-class service along the way.

BRAND (Shanghai) Trading Co., Ltd.
Shanghai, China

T +86 21 6422 2318
info@brand.com.cn
china.brand.com.cn

BRAND Scientific Equipment Pvt. Ltd.
Mumbai, India

T +91 22 42957790
customersupport@brand.co.in
www.brand.co.in

BRANDTECH® Scientific, Inc.
Essex, CT. United States of America

T +1 860 767 2562
info@brandtech.com
www.brandtech.com