

化学真空系统

MD 4C EX +AK+EK

[网站链接](#)

产品说明

ATEX防爆化学真空系统因其配有经优化配置的附件，非常适用于大量易冷凝蒸汽的应用。主要应用于在有潜在爆炸氛围时与旋转蒸发仪和真空干燥箱等连用。进气口分离瓶（AK）可以防止颗粒或液滴进入泵内。出气口的废气冷凝器（EK）效率高，结构紧凑，可实现近100%的溶剂回收效果。发货时配备一个单独的气镇接口，使用惰性气体时可连用。

性能特点

- 卓越的化学耐腐蚀性和蒸汽耐受性
- 直接连接230V / 50Hz 单相电源的防爆型电机，集成自锁过载和过热保护
- 现有的保护措施完全满足了客户的所有技术要求
- 内部和出气口有过压安全泄压阀
- 可靠的膜片安全技术，可附加惰性气体吹扫和膜片破损保护

订购信息

产品名称	额定电源电压 工作频率	电源插头类型	订货号
MD 4C EX +AK+EK	230 V 50 Hz	裸线	20696931

货品配置

泵体安装完毕，连接即可使用，配2米无插头电缆，附带说明书。用户需自行提供外部保护以防止玻璃损坏或破裂。

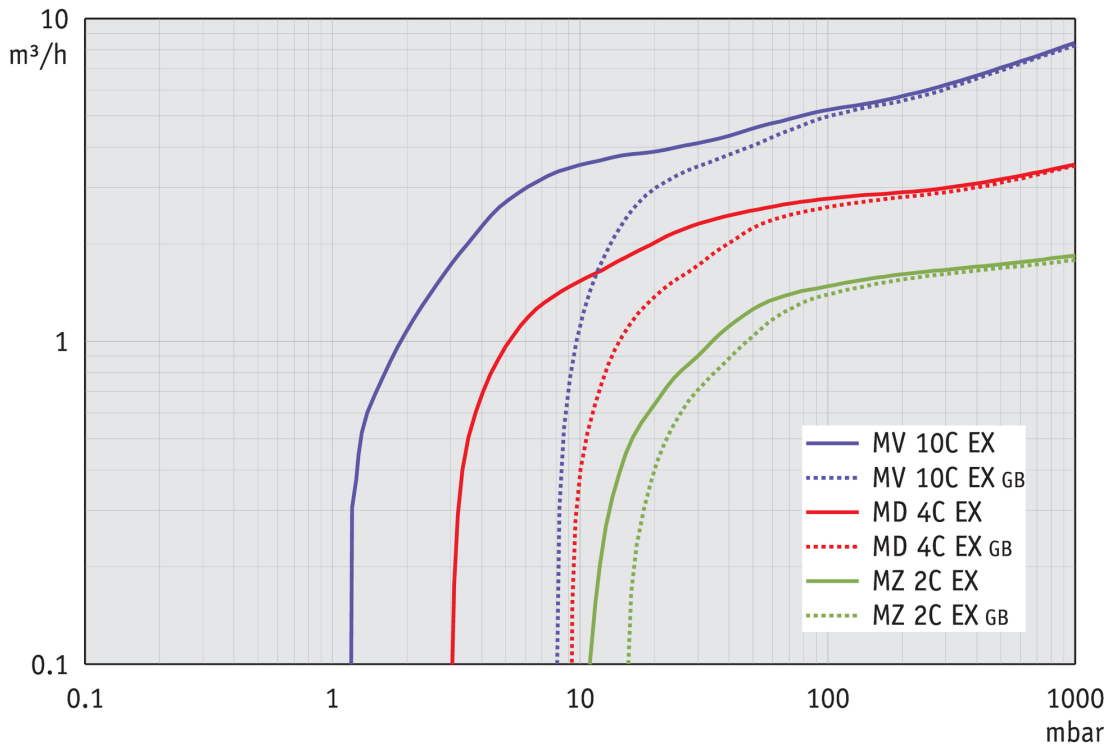
配件

- 带小法兰的PTFE管（抗静电的） KF DN 25 (20686033)

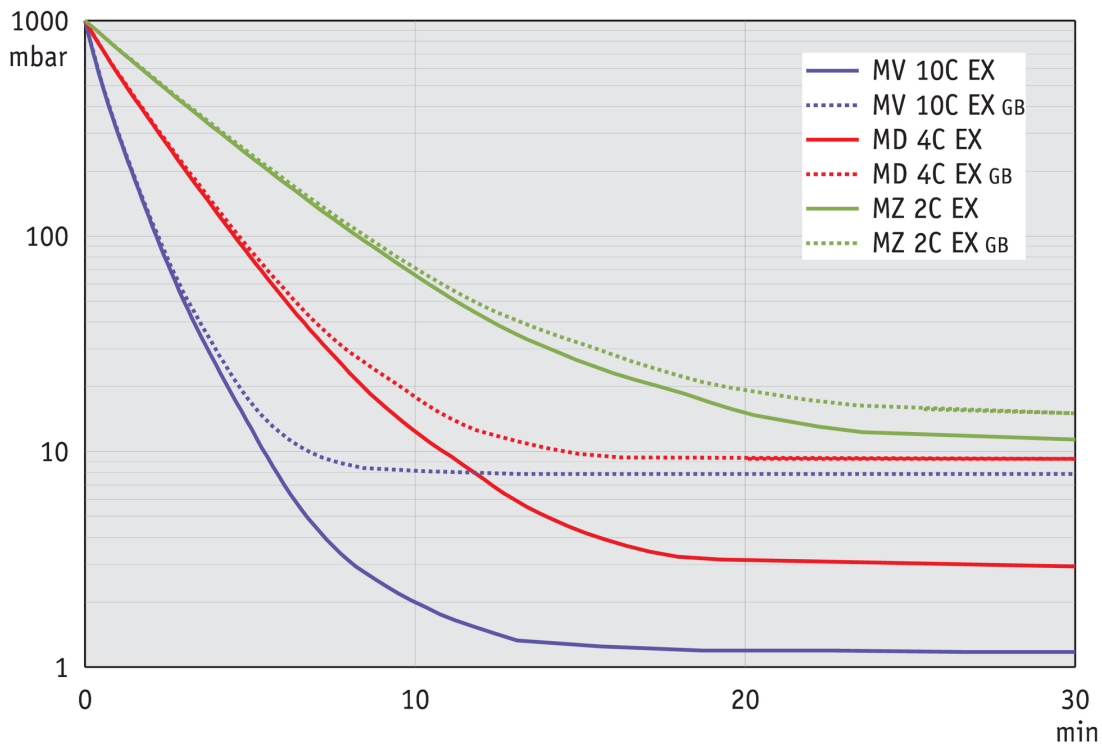
技术指标

50 Hz 最大抽速 (mbar)	3.7 m ³ /h
极限真空	3 mbar / 2.3 torr
极限真空, 使用气镇	10 mbar / 7.5 torr
泵头数	4
泵级数	3
的允许环境温度范围 (运行)	10 - 40 °C
的允许环境温度范围 (存放)	-10 - 60 °C
最大出气口压力 (绝对压力)	1.1 bar
进气口连接	KF DN 25 小法兰
出气口连接	软管喷嘴接头 DN 8-10 mm
冷却液接口	2个 DN 6-8 mm 软管喷嘴接头
额定电机功率	0.25 kW
额定转速 50/60 Hz	1500 min ⁻¹
防护等级	IP 54
尺寸 (长x宽x高)	600 mm x 365 mm x 420 mm
重量	37.4 kg
噪音水平 50 Hz/1500 Upm/62% (VARIO)/1500 Upm (VARIO-SP)/12500 Upm (VACUU·PURE®)	53 dBA
ATEX规格	抽气腔 (所抽气体) : II 2G Ex h IIC T3 Gb X 使用惰性气体吹扫的环境 : II 2G Ex h IIB T4 Gb X 不使用惰性气体吹扫的环境 : II 3G Ex h IIB T4 Gc X Motor: II 2G Ex db IIB T4 Gb
NRTL 标准	否

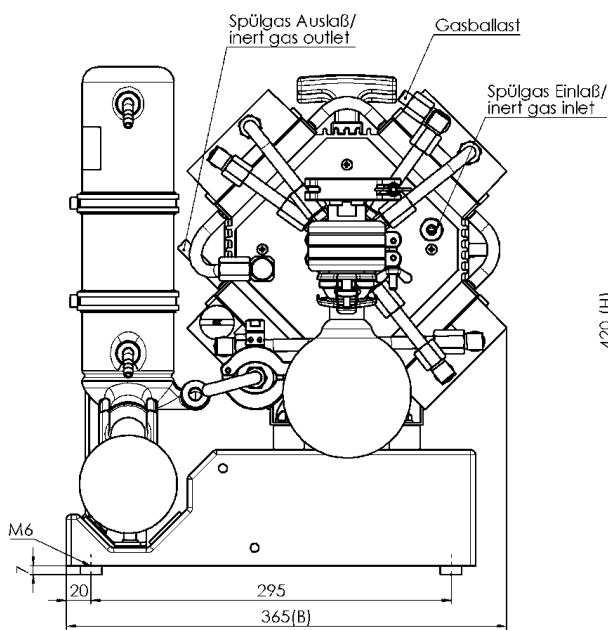
50 Hz下的抽速曲线



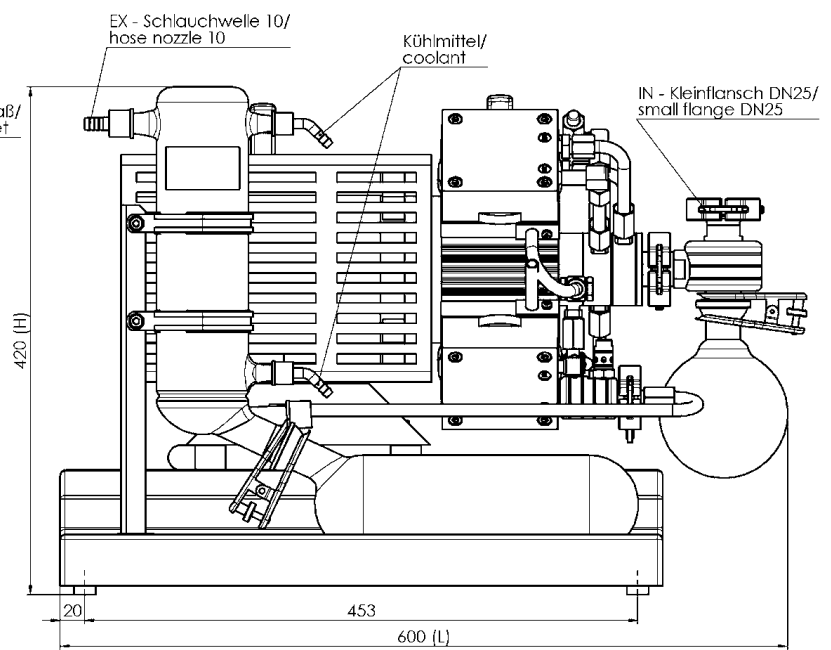
50 Hz下的抽气曲线 (100升容积)



尺寸规格表



Gewicht / weight 37,4 kg
Alle Maße / all dimensions (mm)



VACUUBRAND MD 4C EX 230V 50-60Hz AK+EK
Version 2015/11/26

VACUUBRAND GMBH + CO KG
P.O. Box 1664
97877 Wertheim
T +49 9342 808 5550
F +49 9342 808 5555

info@vacuubrand.com
www.vacuubrand.com

VACUUBRAND®

VACUUBRAND is part of the Brand group, a manufacturer of high-quality and innovative laboratory equipment and vacuum technology with a global team of approx. 1,000 employees.

With highly motivated and qualified employees, we manufacture the world's most comprehensive product family for vacuum generation, measurement and control for the rough and fine vacuum range in the laboratory.

All with one goal:

Enabling our customers to run reliable, safe and efficient processes. This is why we commit ourselves to continuous innovation, first-class performance, and outstanding quality.

Engineering excellence is central to our ability to deliver products and solutions renowned for their quality, durability, and reliability. Innovative technology, high quality materials and extensive testing deliver unmatched performance - engineered and manufactured in Germany.

Together with you, our experts will find the best solution for your application and provide you with first-class service along the way.

BRAND (Shanghai) Trading Co., Ltd.
Shanghai, China

T +86 21 6422 2318
info@brand.com.cn
china.brand.com.cn

BRAND Scientific Equipment Pvt. Ltd.
Mumbai, India

T +91 22 42957790
customersupport@brand.co.in
www.brand.co.in

BRANDTECH® Scientific, Inc.
Essex, CT. United States of America

T +1 860 767 2562
info@brandtech.com
www.brandtech.com