

# Vacuum gauge DVR 3pro

[Link to the website](#)



## Product description

The DVR 3pro is a fully electronic, versatile vacuum gauge with ATEX approval for use in areas with potentially explosive atmospheres (ATEX category 2). Thanks to the easy operation and the combined digital/analog pressure display, measured values can be viewed fast and precisely. The DVR 3pro has an integrated pressure sensor made of aluminum oxide ceramic with excellent corrosion resistance and high long-term stability. A particular advantage is the flexible use with 9V battery power supply (mains-independent operation). Approved batteries are available from retail outlets. The removable cover at the back of the gauge allows for easy battery replacement. (Note: battery replacement must be done outside the hazardous ATEX area.)

## Performance features

- Flexible application range due to mains-independent operation of the fully electronic vacuum gauge with ATEX approval
- Large, graphical analog display combined with precise digital readout allows users to detect and view tendencies easily
- Improved functionality within the navigation menu helps to save energy and to increase the life cycle of the battery; battery easily replaceable; no lithium battery
- High reliability, low EMI emission level near detection limit, high degree of immunity to electromagnetic interference, suitable for use in industrial environments
- Capacitive ceramic diaphragm vacuum sensor made of aluminum oxide with excellent chemical resistance, accuracy and long-term stability

## Ordering data

Product name	Nominal mains voltage   mains frequency	Plug type	Articleno.
DVR 3pro	9 V   DC		20682907

## Items supplied

Vacuum gauge complete with integrated vacuum sensor, including battery, hex key, connecting parts and manual.

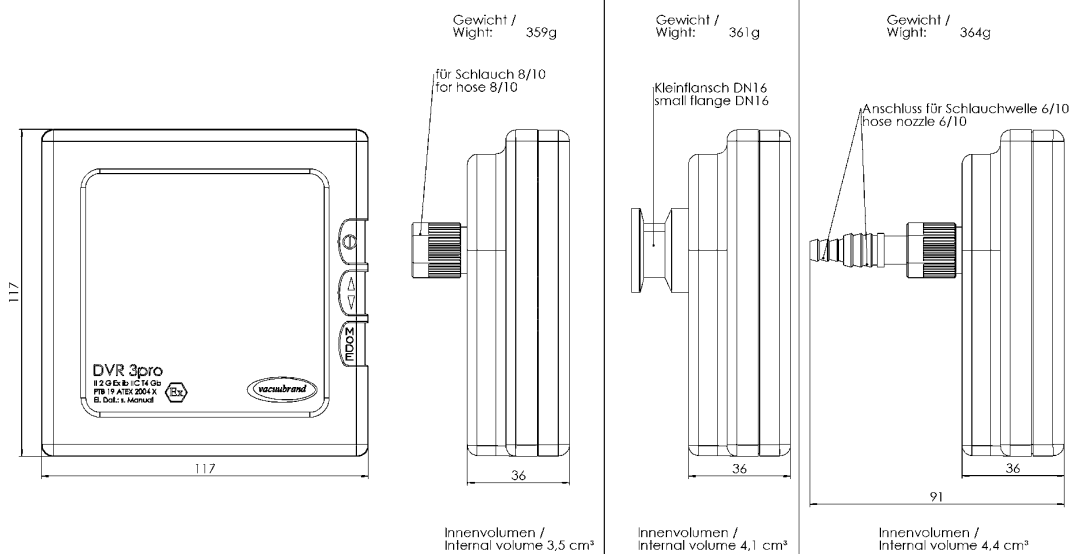
## Accessories

- Rubber vacuum tubing DN 8 mm (20686001)

## Technical data

Measuring range (mbar)	1060 - 1 mbar
Measuring range (torr)	795 - 1 torr
Measurement principle	Ceramic diaphragm (alumina), capacitive, gas indep., absolute pressure
Accuracy of measurement	< +/- 1 mbar/hPa/torr / +/- 1 digit (after adjustment, constant temp.)
Vacuum sensor	Integr.
Temperature coefficient	< 0.15 mbar/hPa/0.11 torr /K
Vacuum sensor connection	Small flange KF DN 16, PTFE tubing connection 10/8 mm, hose nozzle DN 6/10 mm
Permissible ambient temperature range (operation)	10 - 40 °C
Permissible ambient temperature range (storage)	-10 - 60 °C
Max. media temperature (continuous operation)	40 °C
Max. media temperature for short times	80 °C
Automatic switch-off	User-selectable: 1-600 min (default 5 min) or continuous operation
Measurement cycle	User-selectable: Automatic or 1 x per 3s, 1 x per 1s, 3 x per 1s
Power supply	9 V battery
Typical battery lifetime	4.000 h, stand-by: 30.000 h
Material of outer housing	Robust plastic housing with good chemical resistance
Protection class IEC 60529	IP 40
Dimensions (L x W x H)	117 x 117 x 91 mm
Weight	0.4 kg
ATEX conformity	II 2G EX ib IIC T4 Gb
NRTL certification	No

## Dimension sheet



Messgerät DVR 3pro  
Version 04

Alle Maße / all dimensions (mm)

VACUUBRAND GMBH + CO KG  
P.O. Box 1664  
97877 Wertheim  
T +49 9342 808 5550  
F +49 9342 808 5555

info@vacuubrand.com  
www.vacuubrand.com

**VACUUBRAND®**

VACUUBRAND is part of the Brand group, a manufacturer of high-quality and innovative laboratory equipment and vacuum technology with a global team of approx. 1,000 employees.

With highly motivated and qualified employees, we manufacture the world's most comprehensive product family for vacuum generation, measurement and control for the rough and fine vacuum range in the laboratory.

**All with one goal:**

Enabling our customers to run reliable, safe and efficient processes. This is why we commit ourselves to continuous innovation, first-class performance, and outstanding quality.

Engineering excellence is central to our ability to deliver products and solutions renowned for their quality, durability, and reliability. Innovative technology, high quality materials and extensive testing deliver unmatched performance - engineered and manufactured in Germany.

Together with you, our experts will find the best solution for your application and provide you with first-class service along the way.

BRAND (Shanghai) Trading Co., Ltd.  
Shanghai, China

T +86 21 6422 2318  
info@brand.com.cn  
china.brand.com.cn

BRAND Scientific Equipment Pvt. Ltd.  
Mumbai, India

T +91 22 42957790  
customersupport@brand.co.in  
www.brand.co.in

BRANDTECH® Scientific, Inc.  
Essex, CT. United States of America

T +1 860 767 2562  
info@brandtech.com  
www.brandtech.com