

# Diaphragm pump ME 4 NT

[Link to the website](#)



## Product description

Diaphragm pumps are an excellent solution for continuous, oil-free evacuation and pumping of gases. All parts in contact with pumped media are made of aluminum and selected plastics, allowing a wide range of applications for non-corrosive gases. The one-stage construction provides the advantageous combination of high pumping speed and an ultimate vacuum down to 70 mbar. The highly flexible fabric-reinforced double diaphragm made of FKM is ideal for extended operating life. The NT-series features further improved performance data.

## Performance features

- contamination-free pumping and evacuation
- high flow rate even near ultimate vacuum
- whisper quiet
- ME 4 NT with low vibration and higher pumping speed
- exceptionally long diaphragm life and maintenance-free drive system for low lifetime costs

## Ordering data

| Product name | Nominal mains voltage   mains frequency | Plug type | Articleno. |
|--------------|---|-----------|------------|
| ME 4 NT      | 230 V   50-60 Hz                        | UK, IN    | 20731002   |

## Items supplied

Pump completely mounted, ready for use, silencer, hose nozzle, with manual.

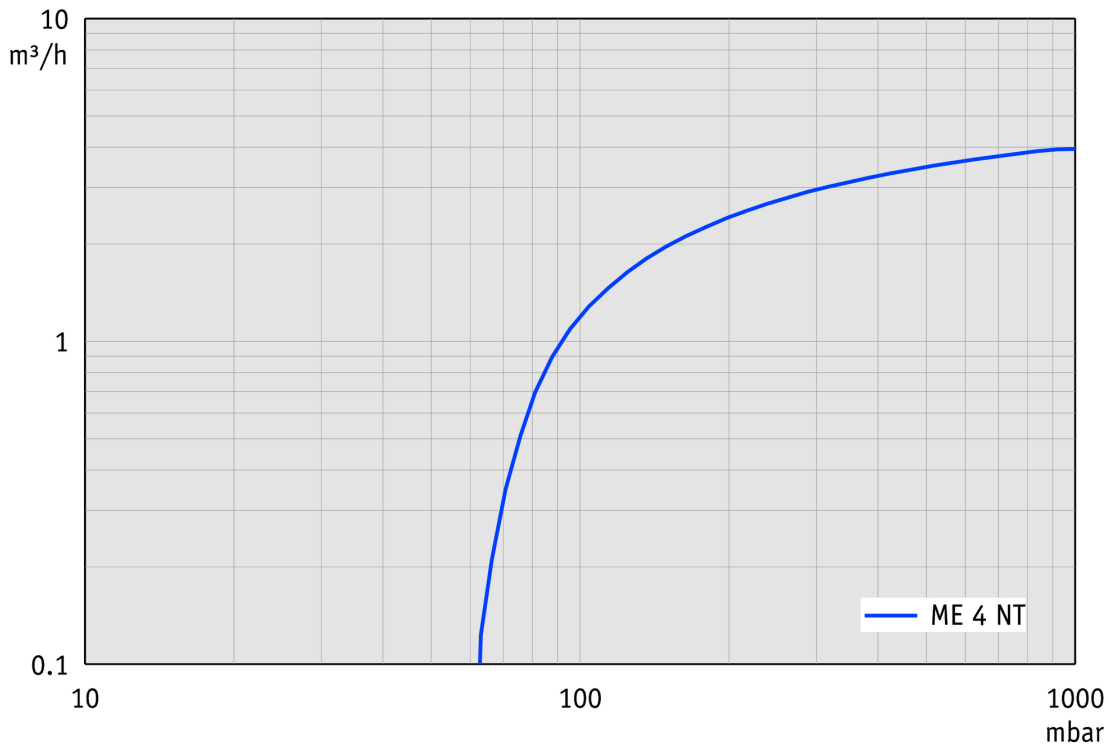
## Accessories

- Rubber vacuum tubing DN 8 mm (20686001)
- Regulator valve for vacuum ME / MZ / MD 4 / NT (20696840)

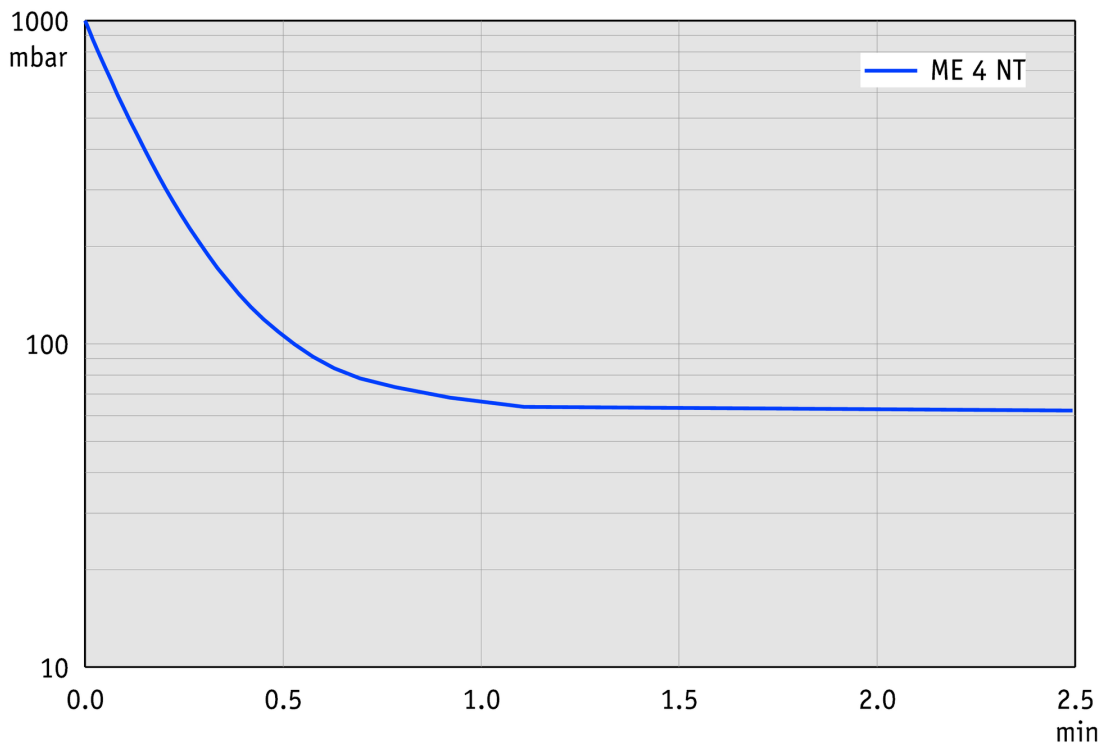
## Technical data

|  |  |
|--|--|
| Max. pumping speed 50 Hz (mbar)  | 4 m <sup>3</sup> /h                          |
| Max. pumping speed 60 Hz (cfm)   | 2.6 cfm                                      |
| Ultimate vacuum  | 70 mbar / 52 torr                            |
| Number of heads  | 2  |
| Number of stages   | 1  |
| Permissible ambient temperature range (operation)  | 10 - 40 °C                                   |
| Permissible ambient temperature range (storage)  | -10 - 60 °C                                  |
| Max. outlet pressure (abs.)  | 2 bar  |
| Inlet connection   | Hose nozzle DN 8-10 mm                       |
| Outlet connection  | 2 x G1/4"                                    |
| Rated motor power  | 0.18 kW                                      |
| Rated speed 50/60 Hz   | 1500/1800 min <sup>-1</sup>                  |
| Protection class IEC 60529   | IP 40  |
| Dimensions (L x W x H)   | 245 mm x 239 mm x 198 mm                     |
| Weight   | 11.0 kg                                      |
| Noise (sound pressure level) in dBA at 50 Hz or 1500 rpm/62% (VARIO)/1500 rpm (VARIO-SP)/12500 Upm (VACUU·PURE®) | 45 dBA                                       |
| ATEX conformity  | II 3/- G Ex h IIC T3 Gc X Internal Atm. only |
| NRTL certification   | Yes  |

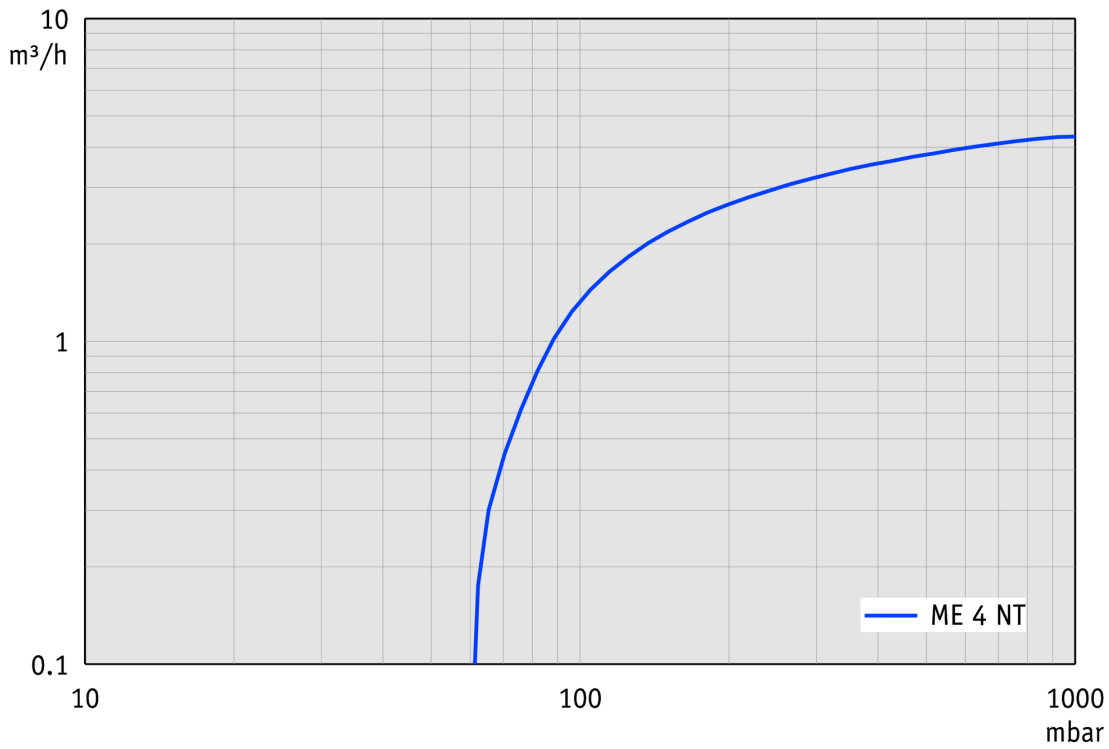
## Pumping speed graph at 50 Hz



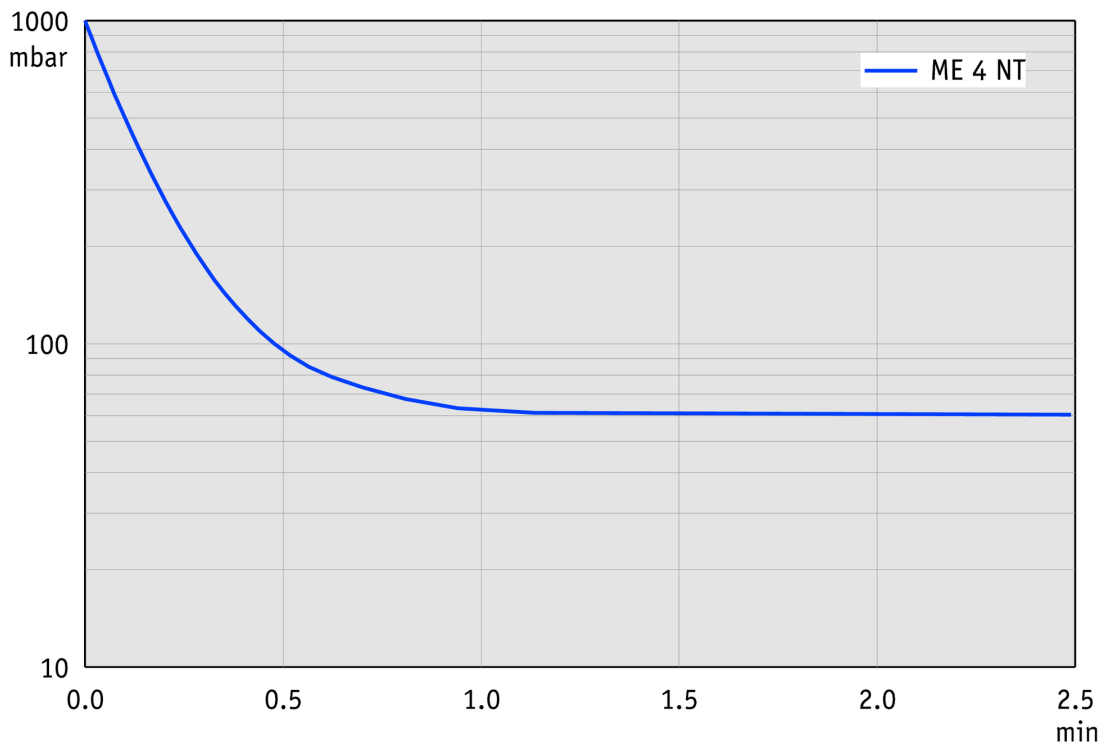
## Pump down graph at 50 Hz (10 l volume)



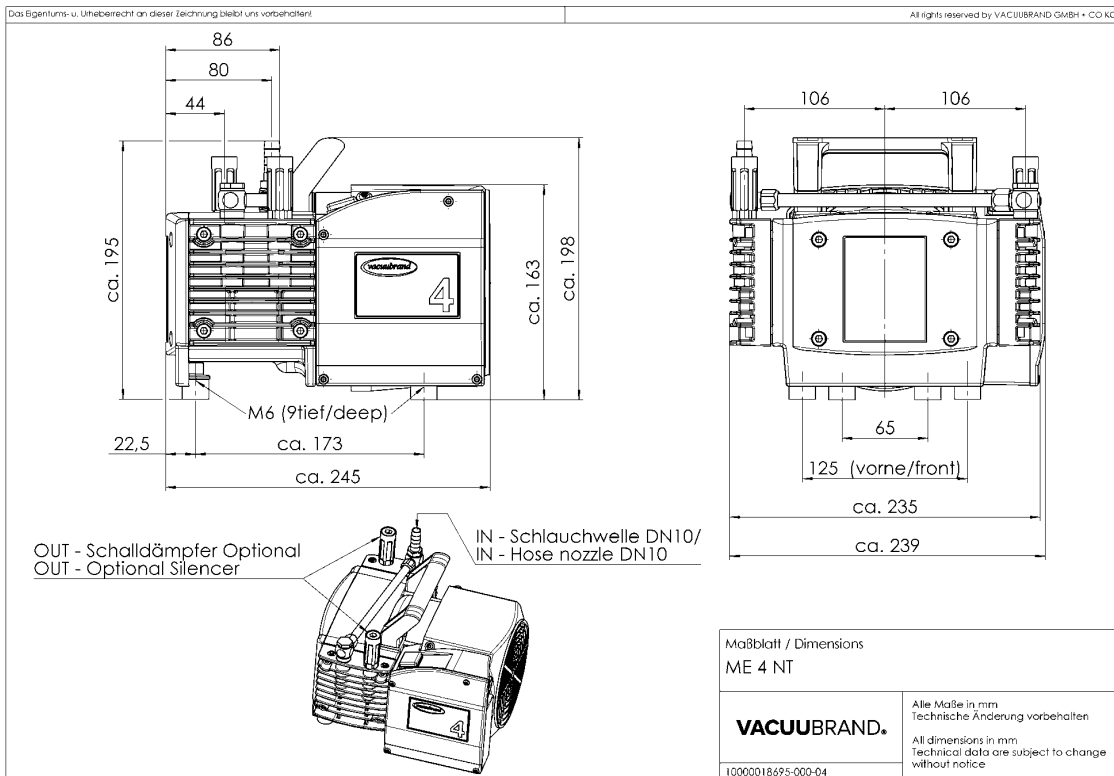
## Pumping speed graph at 60 Hz



## Pump down graph at 60 Hz (10 l volume)



## Dimension sheet



VACUUBRAND GMBH + CO KG  
P.O. Box 1664  
97877 Wertheim  
T +49 9342 808 5550  
F +49 9342 808 5555

info@vacuubrand.com  
www.vacuubrand.com

**VACUUBRAND®**

VACUUBRAND is part of the Brand group, a manufacturer of high-quality and innovative laboratory equipment and vacuum technology with a global team of approx. 1,000 employees.

With highly motivated and qualified employees, we manufacture the world's most comprehensive product family for vacuum generation, measurement and control for the rough and fine vacuum range in the laboratory.

**All with one goal:**

Enabling our customers to run reliable, safe and efficient processes. This is why we commit ourselves to continuous innovation, first-class performance, and outstanding quality.

Engineering excellence is central to our ability to deliver products and solutions renowned for their quality, durability, and reliability. Innovative technology, high quality materials and extensive testing deliver unmatched performance - engineered and manufactured in Germany.

Together with you, our experts will find the best solution for your application and provide you with first-class service along the way.

BRAND (Shanghai) Trading Co., Ltd.  
Shanghai, China

T +86 21 6422 2318  
info@brand.com.cn  
china.brand.com.cn

BRAND Scientific Equipment Pvt. Ltd.  
Mumbai, India

T +91 22 42957790  
customersupport@brand.co.in  
www.brand.co.in

BRANDTECH® Scientific, Inc.  
Essex, CT. United States of America

T +1 860 767 2562  
info@brandtech.com  
www.brandtech.com