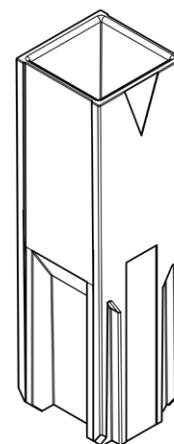
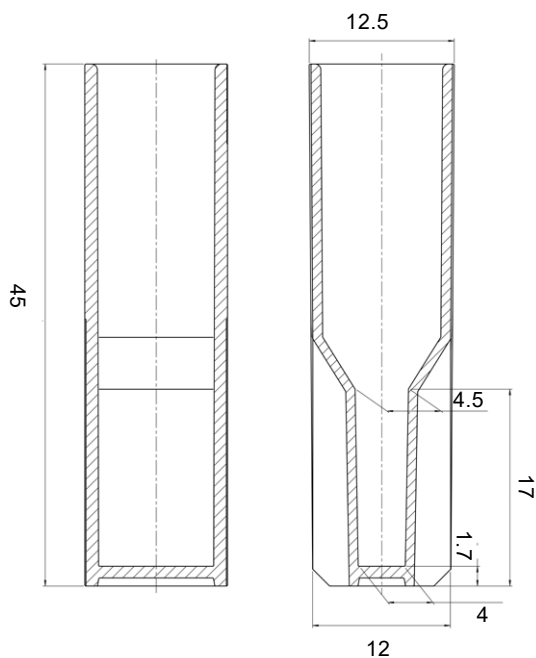
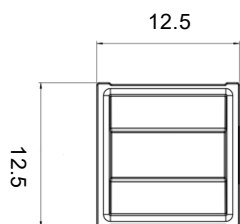


# UV-Cuvette, semi-micro 759150

PRODUCT  
INFORMATION



Dimensions in mm

<b>Filling volume min.</b>	1.5 ml
<b>Light path</b>	10 mm
<b>Material</b>	UV-polymer

Subject to technical modification without notice. Errors excepted.